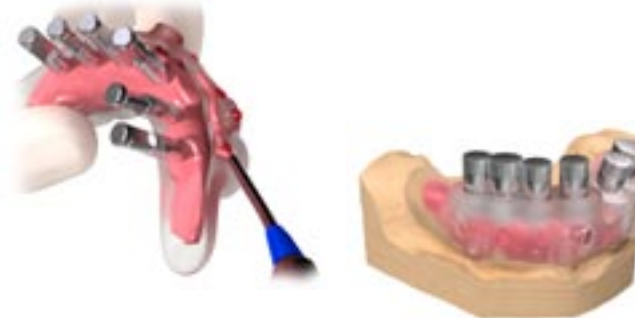


Facilitate™ – Immediate Temporization Procedure



1. Follow the Drilling & installation protocol and attach the FA Replica Holder through the tubes of the guide to each replica.
Note: Block the irrigation and fixation screw holes. Isolate the guide.



2. Fabricate a working model. Apply soft tissue material in the guide and plaster for the socket.
Note: Apply soft tissue material on the edge of the guide.



3. Place the scan prosthesis/denture on the new model. Make sure the scan prosthesis/denture has an accurate position on the model. Grind away potential undercut.



4. Use the original registration index and mount the new model on the articulator.

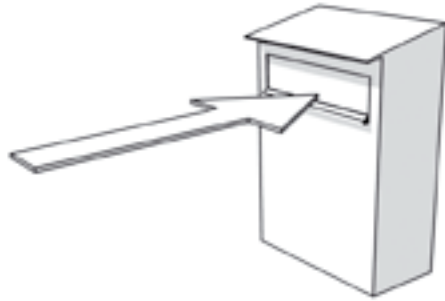


5. Remove the scan prosthesis/denture. Replace the surgical guide on the model. Make a new bite registration for correct position of the guide at surgery.



6. Fabricate a temporary restoration of choice. Create a loose fit around the temporary abutments/cylinders. Use laboratory screws. Check the fit and occlusion of the temporary restoration.

Facilitate™ – Immediate Temporization Procedure



7. Send the surgical guide, index, and the temporary restoration to the surgeon.



8. Place the guide in the mouth. Use the bite registration for correct positioning and fixate the guide with the fixation screws. Perform the guided surgery according to the Drilling & installation protocol.



9. Place the temporary abutments/cylinders into the implants. Check the occlusion and adjust abutments/cylinders to the correct heights.



10. Try-in the temporary restoration over the abutments/cylinders. Fixate the restoration to the abutments/cylinders with cold curing or light curing resin.



11. Unscrew the temporization and complete the fixation of the abutments/cylinders in the cervical area.



12. Form, grind and polish the resin to desired shape and finish.